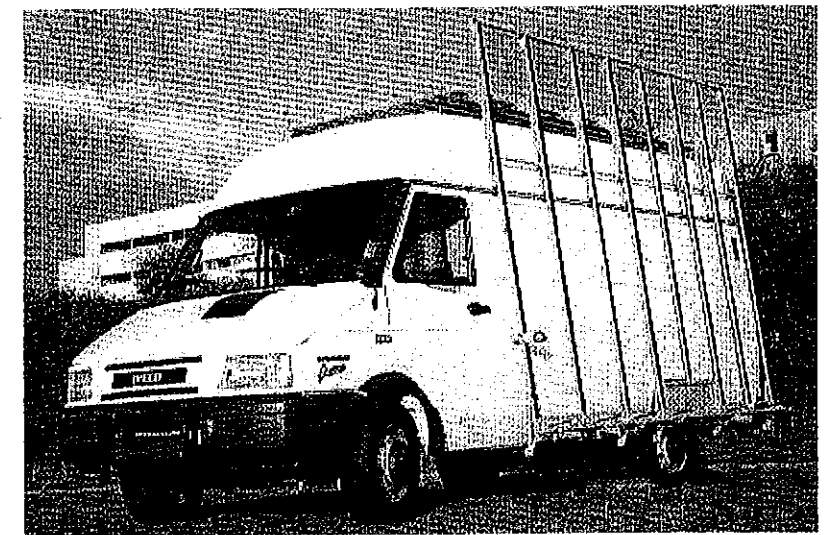


DOSSIER ENTREPRISE

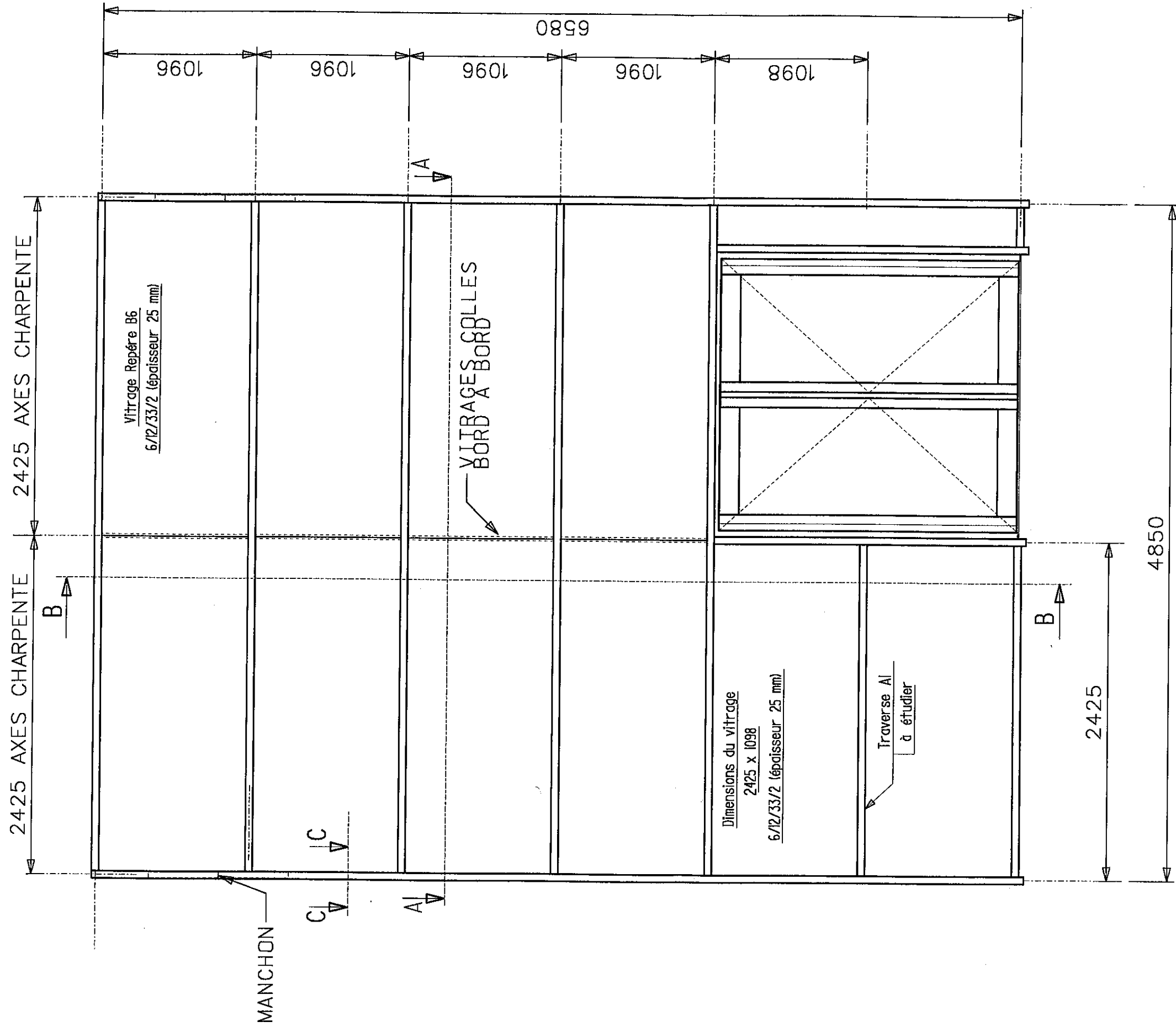


Baccalauréat professionnel
Bâtiment :
Métal Aluminium Verre
Matériaux de synthèse

Thème support :

Extension de bureaux

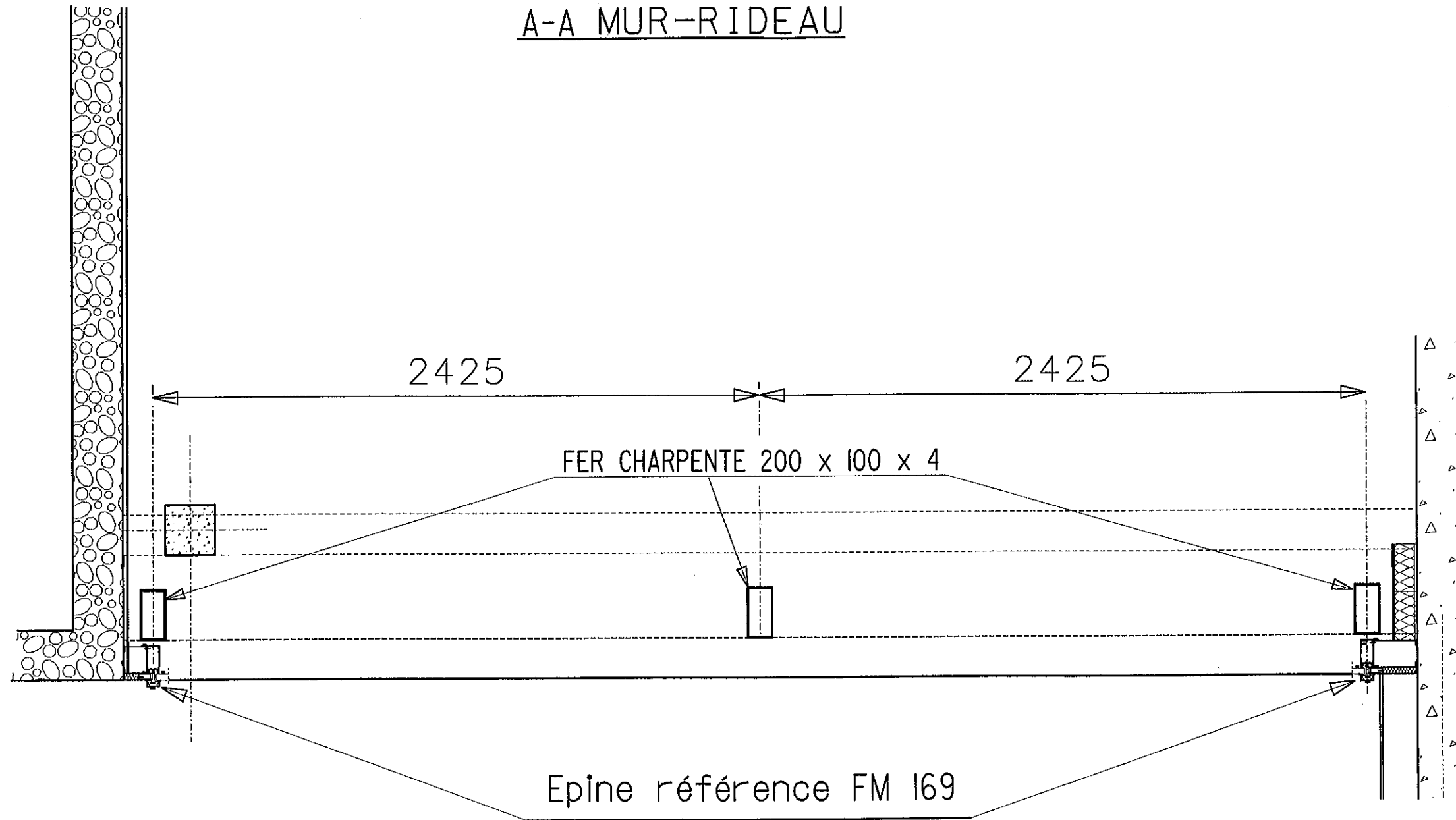
Documents DE 1/20 à DE 20/20



Echelle: 1:30

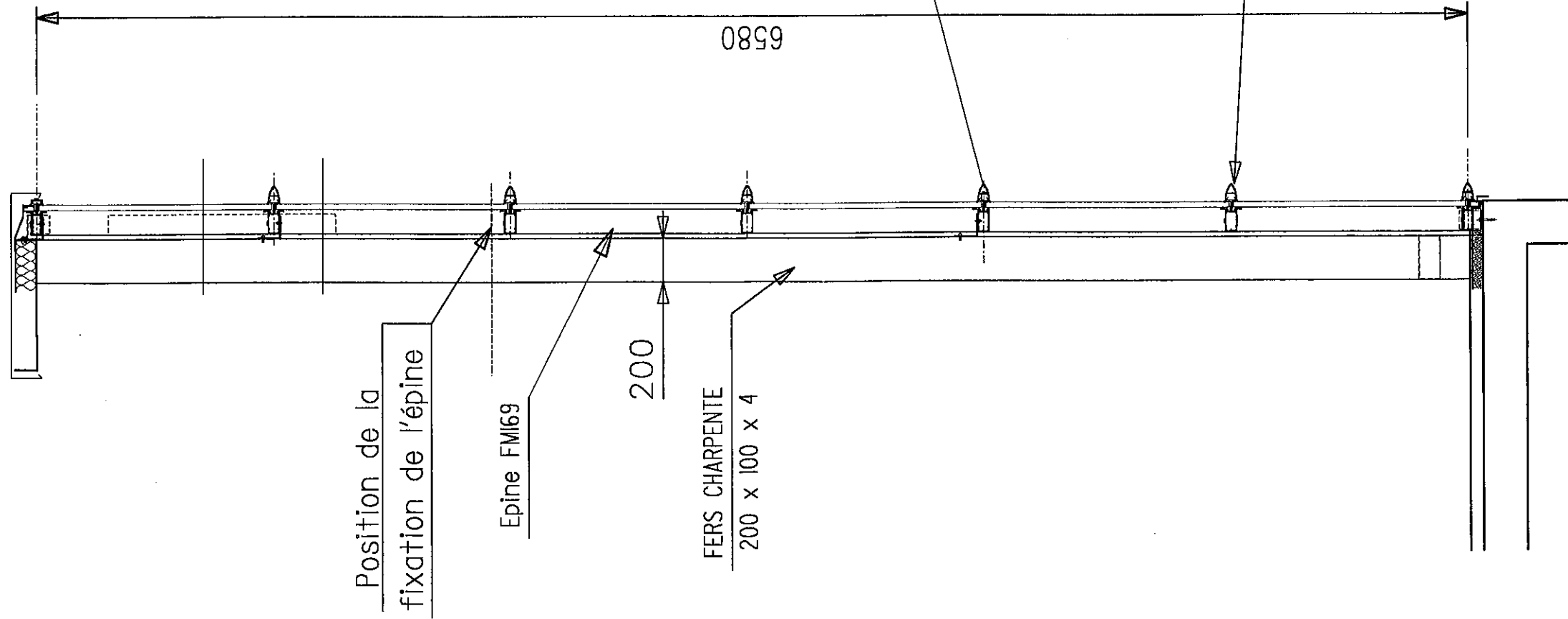
REP 5.01 QTE= 1
MUR-RIDEAU ENTREE

A-A MUR-RIDEAU



Echelle: 1:20

Coupe B B (Mur rideau)



Position de la
fixation de l'épine

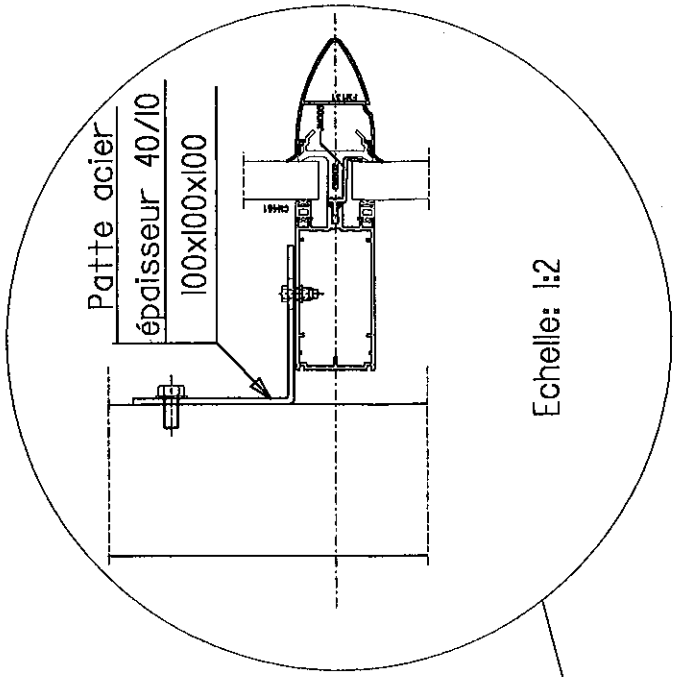
Epine FMI69

200

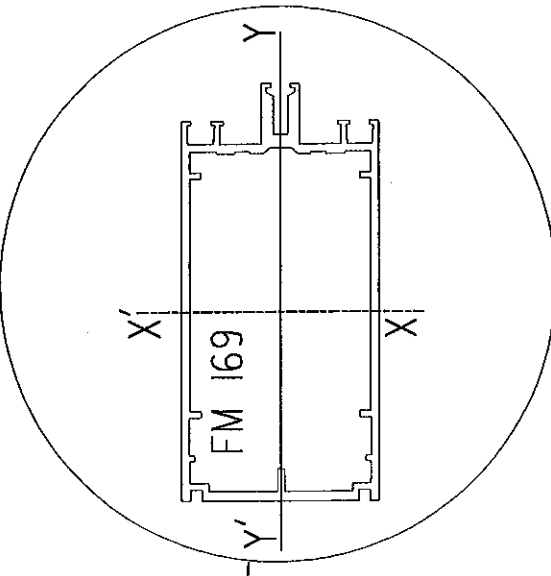
FERS CHARPENTE
200 x 100 x 4

6580

Détail 1 (Echelle:1:10)
Liaison traverse/charpente

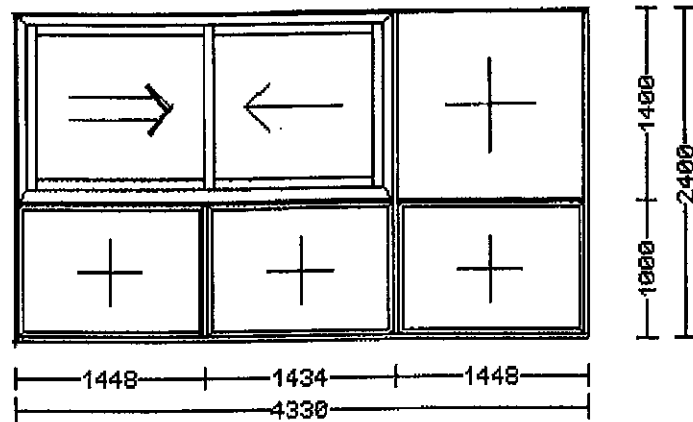


Détail 2 (Echelle: 1:2)
Traverse A à étudier

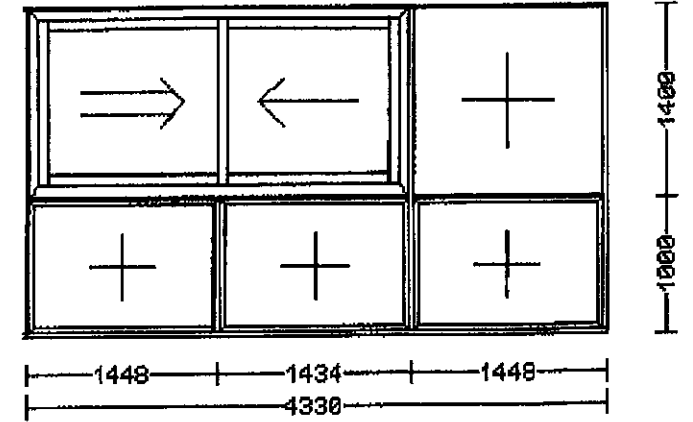


Echelle: 1:25

NOMENCLATURE



Repère.....: 503a
 Quantité....: 1
 Hauteur.....: 2400.0 mm
 Largeur.....: 4330.0 mm



Repère.....: 503b
 Quantité....: 1
 Hauteur.....: 2400.0 mm
 Largeur.....: 4330.0 mm

Commentaires

ATTENTION AU LANCMENT: AXER CHICANES ET MENEAU HF023!! -
 ATTENTION AUX DEBITS DES TRAVERSES H ET B HF009: AJOUTER 110 mm A DROITE DE DEBORD.
 FIXER CORNIERE 0543 A + 10 mm DE L'AXE TRAVERSE POUR RECEPTION ISOLATION INTERIEURE.

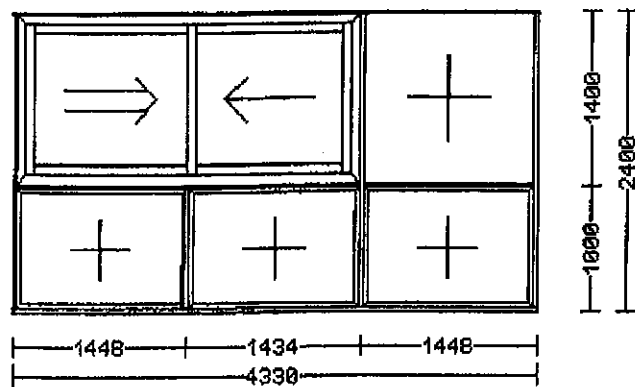
Commentaires

ATTENTION AU LANCMENT: AXER CHICANES ET MENEAU HF023!!
 ATTENTION AUX DEBITS DES TRAVERSES H ET B HF009: AJOUTER 110 mm A DROITE+A GAUCHE DE DEBORD.
 FIXER CORNIERE 0543 A + 10 mm DE L'AXE TRAVERSE POUR RECEPTION ISOLATION INTERIEURE.

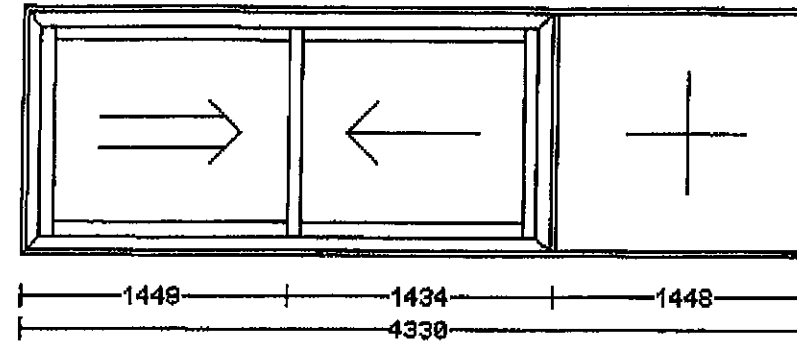
Réf.	PROFILES	Couleur/Teinte	Qté	Débit	Gauc.	Droi.
0543	L 20 x 20 x 1,6	AS	2	2410.0	90.0	90.0
0543	L 20 x 20 x 1,6	AS	2	4350.0	90.0	90.0
8475	Profilé bavette 55 mm	AS	1	4440.0	90.0	90.0
FE026	Parclose 9.7 mm	AS	2	1304.0	90.0	90.0
FE026	Parclose 9.7 mm	AS	2	1398.0	90.0	90.0
FE029	Parclose 29 mm	AS	6	844.0	90.0	90.0
FE029	Parclose 29 mm	AS	4	1338.0	90.0	90.0
FE029	Parclose 29 mm	AS	2	1339.2	90.0	90.0
FE029	Parclose 29 mm	AS	2	1227.0	90.0	90.0
FG001	Montant central	AS	2	2695.5	90.0	90.0
FG006	Cheminement inox	B	2	2774.0	90.0	90.0
FG008	Rejet d'eau	AS	1	2334.8	90.0	90.0
HF009	Dormant rainure extérieure	AS	1	2400.0	45.0	45.0
HF009	Dormant rainure extérieure	AS	1	4440.0	45.0	90.0
HF009	Dormant rainure extérieure	AS	1	4440.0	90.0	45.0
HF009	Dormant rainure extérieure	AS	1	950.0	90.0	90.0
HF023	Meneau 83 mm	AS	1	1398.0	90.0	90.0
HF023	Meneau 83 mm	AS	1	2334.8	90.0	90.0
HF023	Meneau 83 mm	AS	1	2832.0	90.0	90.0
HF023	Meneau 83 mm	AS	6	950.0	45.0	45.0
HF030	Profilé inverseur projection	AS	4	1398.0	45.0	45.0
HF030	Profilé inverseur projection	AS	2	1399.2	45.0	45.0
HF030	Profilé inverseur projection	AS	2	1227.0	90.0	90.0
HG001	Montant latéral	AS	4	1302.3	90.0	90.0
HG003	Traverse GXi	AS	1	2838.0	45.0	45.0
HG011	Dormant ouvert composé GXi-FXi	AS	2	1356.0	45.0	45.0
HG012	Dormant ouvert composé GXi-FXi	AS	1	2838.0	45.0	45.0
HG012	Dormant ouvert composé GXi-FXi	AS	2	1227.0	90.0	90.0
YG001	Profilé chicane	B	2	1294.0	45.0	45.0
YG002	Bouclier dormant GXi	*B	2	2776.0	45.0	45.0
YG002	Bouclier dormant GXi	*B	2			

Réf.	PROFILES	Couleur/Teinte	Qté	Débit	Gauc.	Droi.
0543	L 20 x 20 x 1,6	AS	2	2410.0	90.0	90.0
0543	L 20 x 20 x 1,6	AS	2	4350.0	90.0	90.0
8475	Profilé bavette 55 mm	AS	1	4550.0	90.0	90.0
FE026	Parclose 9.7 mm	AS	2	1304.0	90.0	90.0
FE026	Parclose 9.7 mm	AS	2	1398.0	90.0	90.0
FE029	Parclose 29 mm	AS	6	844.0	90.0	90.0
FE029	Parclose 29 mm	AS	4	1338.0	90.0	90.0
FE029	Parclose 29 mm	AS	2	1339.2	90.0	90.0
FE029	Parclose 29 mm	AS	2	1227.0	90.0	90.0
FG001	Montant central	AS	2	2695.5	90.0	90.0
FG006	Cheminement inox	B	2	2774.0	90.0	90.0
FG008	Rejet d'eau	AS	1	2334.8	90.0	90.0
HF009	Dormant rainure extérieure	AS	2	2400.0	45.0	45.0
HF009	Dormant rainure extérieure	AS	2	4550.0	90.0	90.0
HF023	Meneau 83 mm	AS	1	950.0	90.0	90.0
HF023	Meneau 83 mm	AS	1	1398.0	90.0	90.0
HF023	Meneau 83 mm	AS	1	2334.8	90.0	90.0
HF023	Meneau 83 mm	AS	1	2832.0	90.0	90.0
HF030	Profilé inverseur projection	AS	6	950.0	45.0	45.0
HF030	Profilé inverseur projection	AS	4	1398.0	45.0	45.0
HF030	Profilé inverseur projection	AS	2	1399.2	45.0	45.0
HG001	Montant latéral	AS	2	1227.0	90.0	90.0
HG003	Traverse GXi	AS	4	1302.3	90.0	90.0
HG011	Dormant ouvert composé GXi-FXi	AS	1	2838.0	45.0	45.0
HG012	Dormant ouvert composé GXi-FXi	AS	2	1356.0	45.0	45.0
HG012	Dormant ouvert composé GXi-FXi	AS	1	2838.0	45.0	45.0
YG001	Profilé chicane	B	2	1227.0	90.0	90.0
YG002	Bouclier dormant GXi	*B	2	1294.0	45.0	45.0
YG002	Bouclier dormant GXi	*B	2	2776.0	45.0	45.0

NOMENCLATURE (suite)



Repère.....: 503c
 Quantité...: 1
 Hauteur.....: 2400.0 mm
 Largeur.....: 4330.0 mm



Repère.....: 506a
 Quantité...: 1
 Hauteur.....: 1330.0 mm
 Largeur.....: 4330.0 mm

Commentaires

ATTENTION AU LANCEMENT: AXER CHICANES ET MENEAU HF023!!
ATTENTION AUX DEBITS DES TRAVERSES H ET B HF009: AJOUTER 110 mm A GAUCHE +105 A DROITE DE DEBORD.
FIXER CORNIERE 0543 A + 10 mm DE L'AXE TRAVERSE POUR RECEPTION ISOLATION INTERIEURE. (SUR CHANTIER)

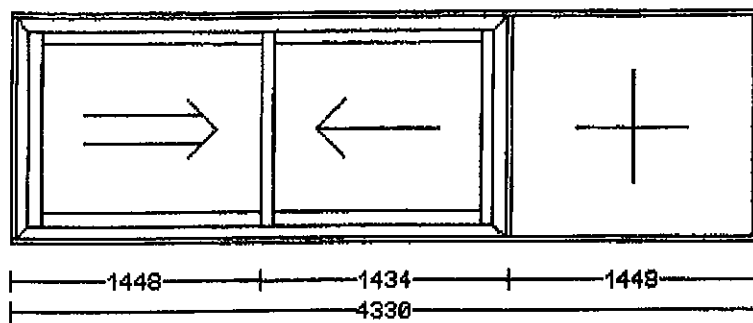
Commentaires

ATTENTION AU LANCEMENT: AXER CHICANES ET MENEAU HF023 SUR CHASSIS RDC!!
ATTENTION AUX DEBITS DES TRAVERSES H ET B HF009: AJOUTER 110 mm A DROITE DE DEBORD.

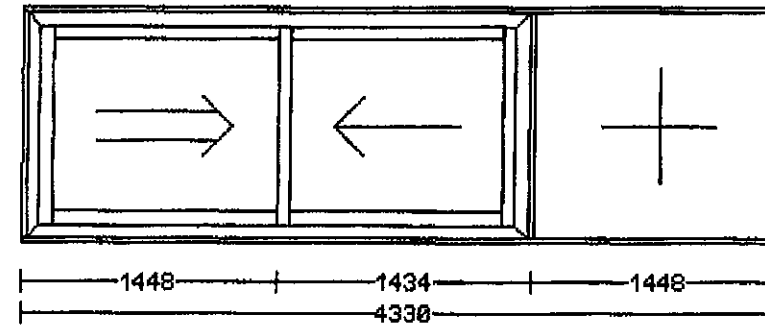
Réf.	PROFILES	Couleur/Teinte	Qté	Débit	Gauc.	Droi.
0543	L 20 x 20 x 1,6	AS	2	2410.0	90.0	90.0
0543	L 20 x 20 x 1,6	AS	2	4350.0	90.0	90.0
8475	Profilé bavette 55 mm	AS	1	4545.0	90.0	90.0
FE026	Parclose 9.7 mm	AS	2	1304.0	90.0	90.0
FE026	Parclose 9.7 mm	AS	2	1398.0	90.0	90.0
FE029	Parclose 29 mm	AS	6	844.0	90.0	90.0
FE029	Parclose 29 mm	AS	4	1338.0	90.0	90.0
FE029	Parclose 29 mm	AS	2	1339.2	90.0	90.0
FE029	Parclose 29 mm	AS	2	1227.0	90.0	90.0
FG001	Montant central	AS	2	1227.0	90.0	90.0
FG006	Cheminement inox	B	2	2695.5	90.0	90.0
FG008	Rejet d'eau	AS	1	2774.0	90.0	90.0
HF009	Dormant rainure extérieure	AS	2	2334.8	90.0	90.0
HF009	Dormant rainure extérieure	AS	2	4545.0	90.0	90.0
HFC09	Dormant rainure extérieure	AS	1	950.0	90.0	90.0
HFC23	Meneau 83 mm	AS	1	1398.0	90.0	90.0
HF023	Meneau 83 mm	AS	1	2334.8	90.0	90.0
HF023	Meneau 83 mm	AS	1	2832.0	90.0	90.0
HF023	Meneau 83 mm	AS	6	950.0	45.0	45.0
HF030	Profilé inverseur projection	AS	4	1398.0	45.0	45.0
HF030	Profilé inverseur projection	AS	2	1399.2	45.0	45.0
HF030	Profilé inverseur projection	AS	2	1227.0	90.0	90.0
HG001	Montant latéral	AS	4	1302.3	90.0	90.0
HG003	Traverse GXi	AS	4	1302.3	90.0	90.0
HG011	Dormant ouvert composé GXi-FXi	AS	1	2838.0	45.0	45.0
HG012	Dormant ouvert composé GXi-FXi	AS	2	1356.0	45.0	45.0
HG012	Dormant ouvert composé GXi-FXi	AS	1	2838.0	45.0	45.0
HG012	Dormant ouvert composé GXi-FXi	AS	2	1227.0	90.0	90.0
YG001	Profilé chicane	B	2	1294.0	45.0	45.0
YG002	Bouclier dormant GXi	*B	2	1294.0	45.0	45.0
YG002	Bouclier dormant GXi	*B	2	2776.0	45.0	45.0

Réf.	PROFILES	Couleur/Teinte	Qté	Débit	Gauc.	Droi.
0543	L 20 x 20 x 1,6	AS	2	1340.0	90.0	90.0
0543	L 20 x 20 x 1,6	AS	1	4350.0	90.0	90.0
FE026	Parclose 9.7 mm	AS	2	1218.8	90.0	90.0
FE026	Parclose 9.7 mm	AS	2	1398.0	90.0	90.0
FG001	Montant central	AS	2	1141.8	90.0	90.0
FG006	Cheminement inox	B	2	2695.5	90.0	90.0
FG008	Rejet d'eau	AS	1	2774.0	90.0	90.0
HF009	Dormant rainure extérieure	AS	1	1264.8	90.0	90.0
HF009	Dormant rainure extérieure	AS	1	1330.0	45.0	45.0
HF009	Dormant rainure extérieure	AS	1	4440.0	45.0	90.0
HF009	Dormant rainure extérieure	AS	1	4440.0	90.0	45.0
HF023	Meneau 83 mm	AS	1	1264.8	90.0	90.0
HG001	Montant latéral	AS	2	1141.8	90.0	90.0
HG003	Traverse GXi	AS	4	1302.3	90.0	90.0
HG011	Dormant ouvert composé GXi-FXi	AS	1	2838.0	45.0	45.0
HG012	Dormant ouvert composé GXi-FXi	AS	2	1270.8	45.0	45.0
HG012	Dormant ouvert composé GXi-FXi	AS	1	2838.0	45.0	45.0
YG001	Profilé chicane	B	2	1141.8	90.0	90.0
YG002	Bouclier dormant GXi	*B	2	1208.8	45.0	45.0
YG002	Bouclier dormant GXi	*B	2	2776.0	45.0	45.0

NOMENCLATURE (SUITE)



Repère.....: 506b
 Quantité....: 1
 Hauteur.....: 1330.0 mm
 Largeur.....: 4330.0 mm



Repère.....: 506c
 Quantité....: 1
 Hauteur.....: 1330.0 mm
 Largeur.....: 4330.0 mm

Commentaires

ATTENTION AU LANCEMENT: AXER CHICANES ET MENEAU HF023 SUR CHASSIS RDC!!
ATTENTION AUX DEBITS DES TRAVERSES H ET B HF009: AJOUTER 110 mm A DROITE + A GAUCHE DE
DEBORD.

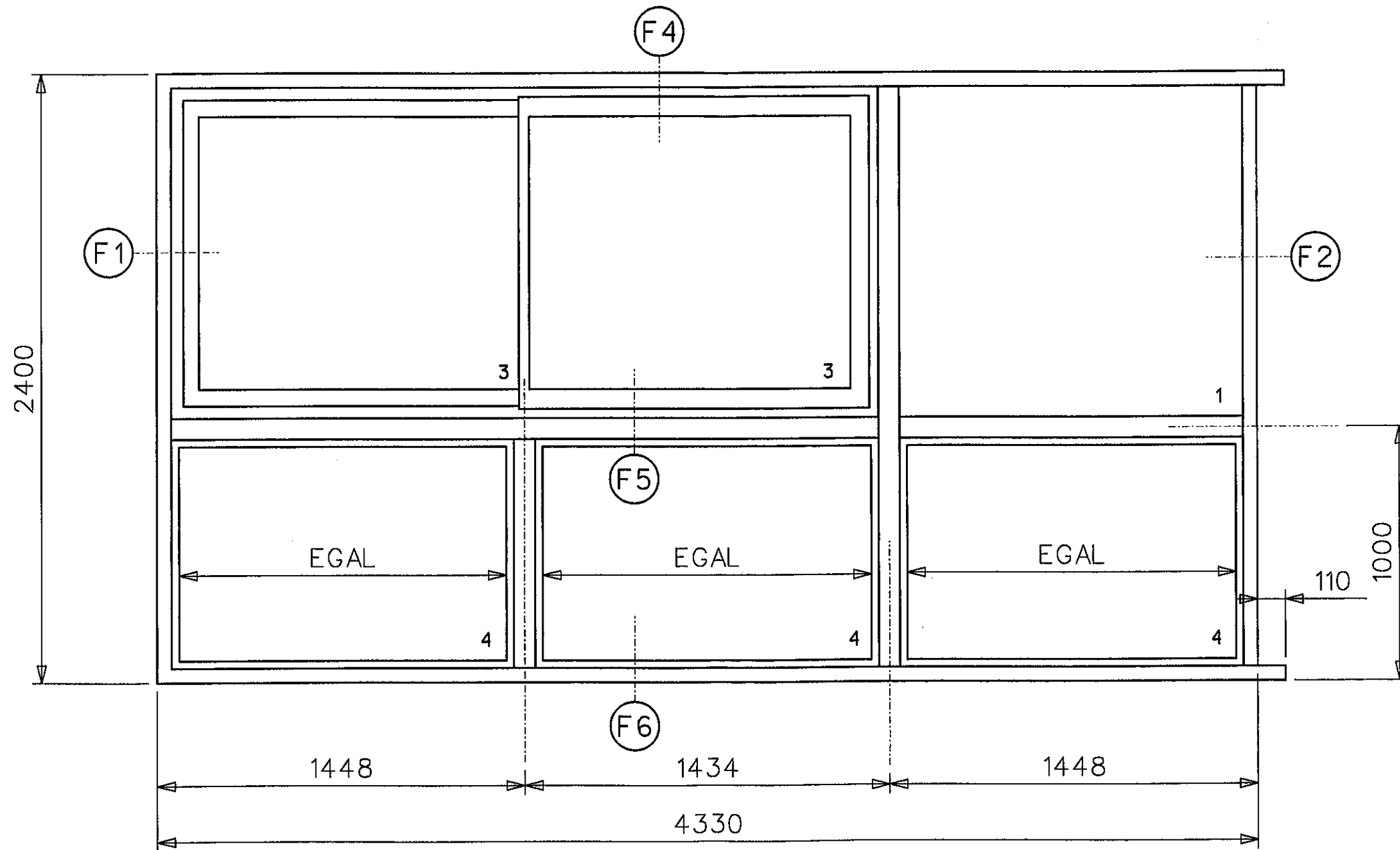
Réf.	PROFILES	Couleur/Teinte	Qté	Débit	Gauc.	Droi.
0543	L 20 x 20 x 1,6	AS	2	1340.0	90.0	90.0
0543	L 20 x 20 x 1,6	AS	1	4350.0	90.0	90.0
FE026	Parclose 9.7 mm	AS	2	1218.8	90.0	90.0
FE026	Parclose 9.7 mm	AS	2	1398.0	90.0	90.0
FG001	Montant central	AS	2	1141.8	90.0	90.0
FG006	Cheminement inox	B	2	2695.5	90.0	90.0
FG008	Rejet d'eau	AS	1	2774.0	90.0	90.0
HF009	Dormant rainure extérieure	AS	2	1264.8	90.0	90.0
HF009	Dormant rainure extérieure	AS	2	4440.0	90.0	90.0
HF023	Meneau 83 mm	AS	1	1264.8	90.0	90.0
HG001	Montant latéral	AS	2	1141.8	90.0	90.0
HG003	Traverse GXi	AS	4	1302.3	90.0	90.0
HG011	Dormant ouvert composé GXi-FXi	AS	1	2838.0	45.0	45.0
HG012	Dormant ouvert composé GXi-FXi	AS	2	1270.8	45.0	45.0
HG012	Dormant ouvert composé GXi-FXi	AS	1	2838.0	45.0	45.0
YG001	Profilé chicane	B	2	1141.8	90.0	90.0
YG002	Bouclier dormant GXi	*B	2	1208.8	45.0	45.0
YG002	Bouclier dormant GXi	*B	2	2776.0	45.0	45.0

Commentaires

ATTENTION AU LANCEMENT: AXER CHICANES ET MENEAU HF023 SUR CHASSIS RDC!!
ATTENTION AUX DEBITS DES TRAVERSES H ET B HF009: AJOUTER 110 mm A GAUCHE + 105 A DROITE DE
DEBORD.

Réf.	PROFILES	Couleur/Teinte	Qté	Débit	Gauc.	Droi.
0543	L 20 x 20 x 1,6	AS	2	1340.0	90.0	90.0
0543	L 20 x 20 x 1,6	AS	1	4350.0	90.0	90.0
FE026	Parclose 9.7 mm	AS	2	1218.8	90.0	90.0
FE026	Parclose 9.7 mm	AS	2	1398.0	90.0	90.0
FG001	Montant central	AS	2	1141.8	90.0	90.0
FG006	Cheminement inox	B	2	2695.5	90.0	90.0
FG008	Rejet d'eau	AS	1	2774.0	90.0	90.0
HF009	Dormant rainure extérieure	AS	2	1264.8	90.0	90.0
HF009	Dormant rainure extérieure	AS	2	4440.0	90.0	90.0
HF023	Meneau 83 mm	AS	1	1264.8	90.0	90.0
HG001	Montant latéral	AS	2	1141.8	90.0	90.0
HG003	Traverse GXi	AS	4	1302.3	90.0	90.0
HG011	Dormant ouvert composé GXi-FXi	AS	1	2838.0	45.0	45.0
HG012	Dormant ouvert composé GXi-FXi	AS	2	1270.8	45.0	45.0
HG012	Dormant ouvert composé GXi-FXi	AS	1	2838.0	45.0	45.0
YG001	Profilé chicane	B	2	1141.8	90.0	90.0
YG002	Bouclier dormant GXi	*B	2	1208.8	45.0	45.0
YG002	Bouclier dormant GXi	*B	2	2776.0	45.0	45.0

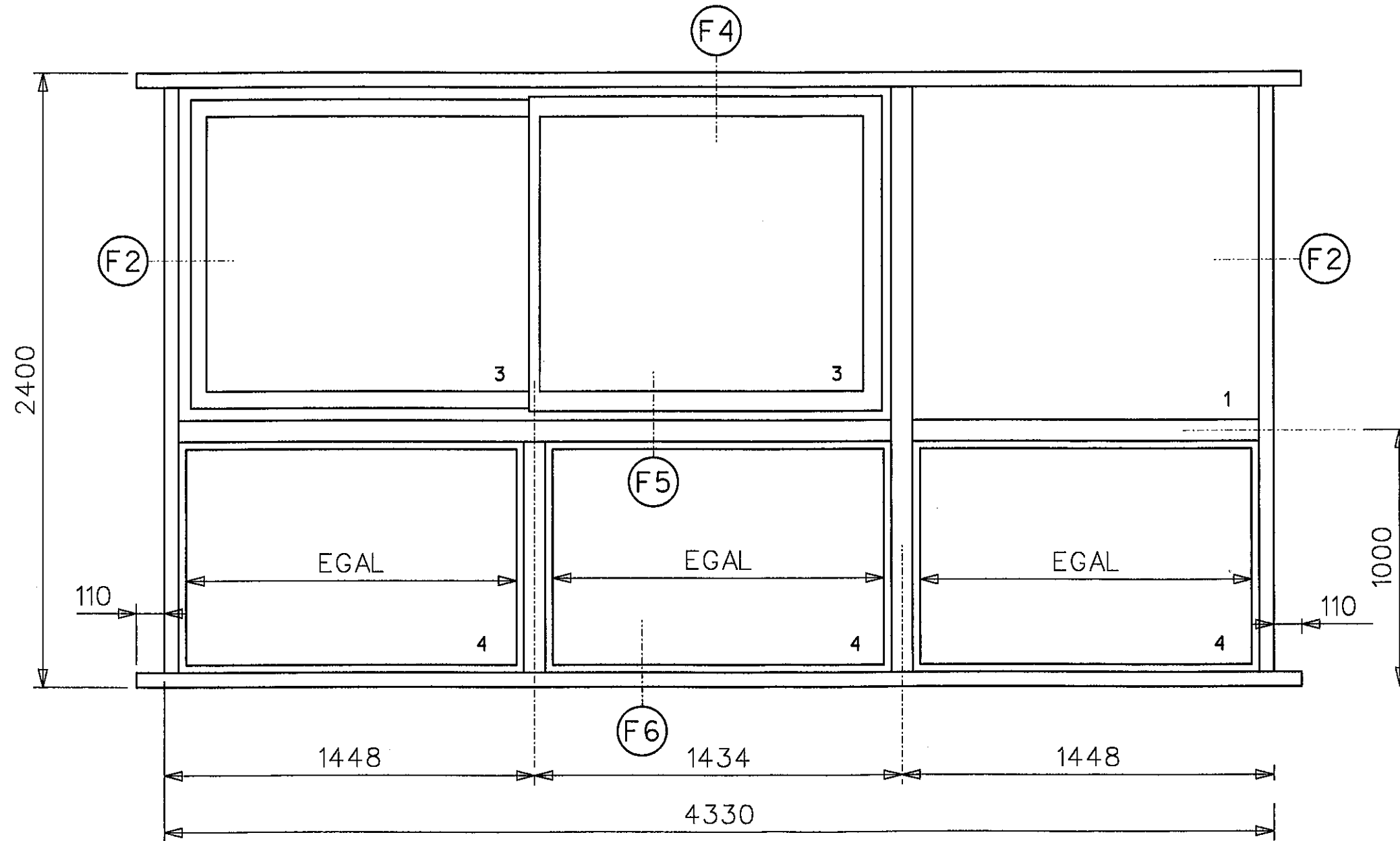
REP 5.03a QTE = 1



Echelle : 1:20

COTES BETON = 4350x2420

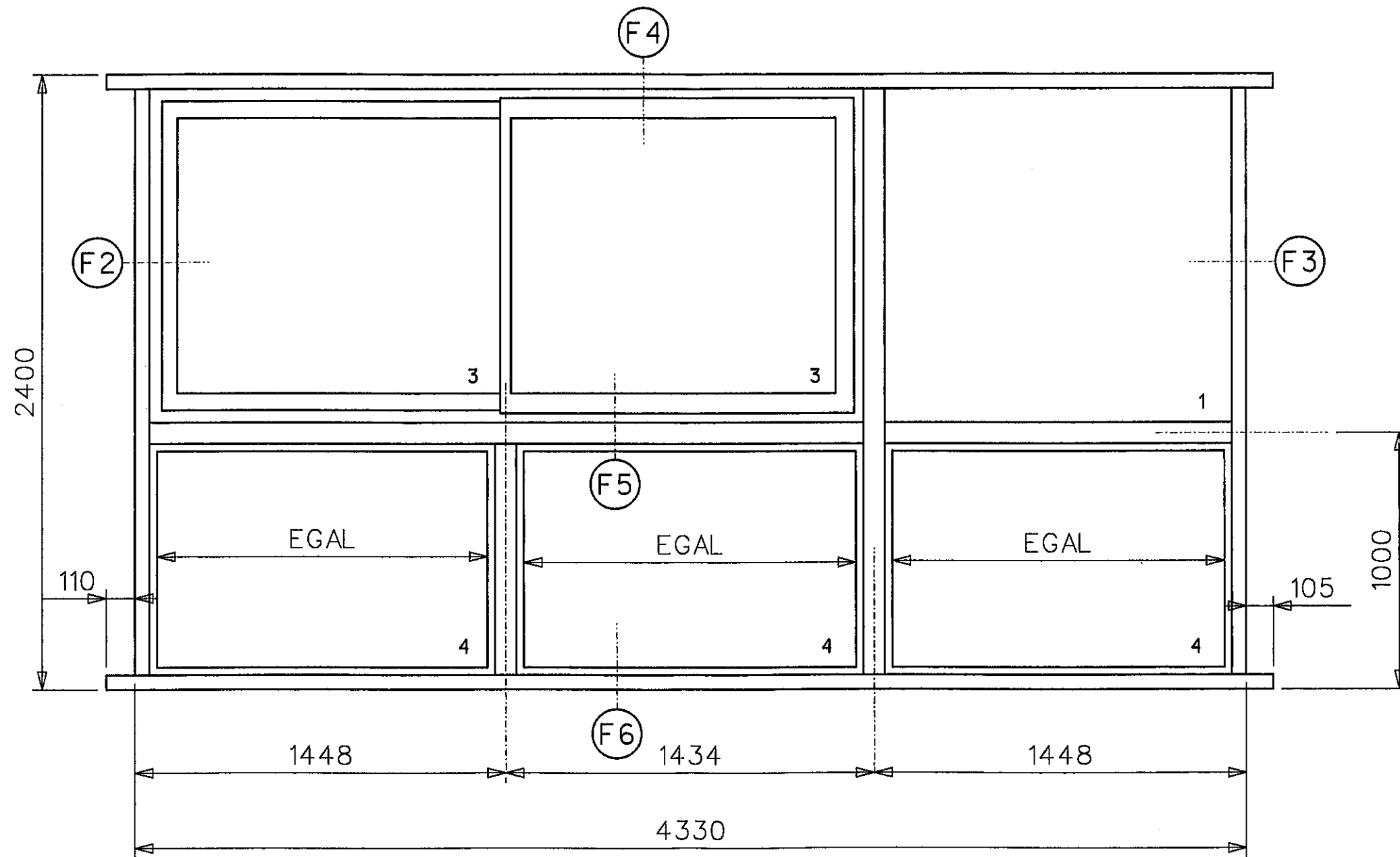
REP 5.03b QTE= 1



Echelle : 1:20

COTES BETON= 4350x2420

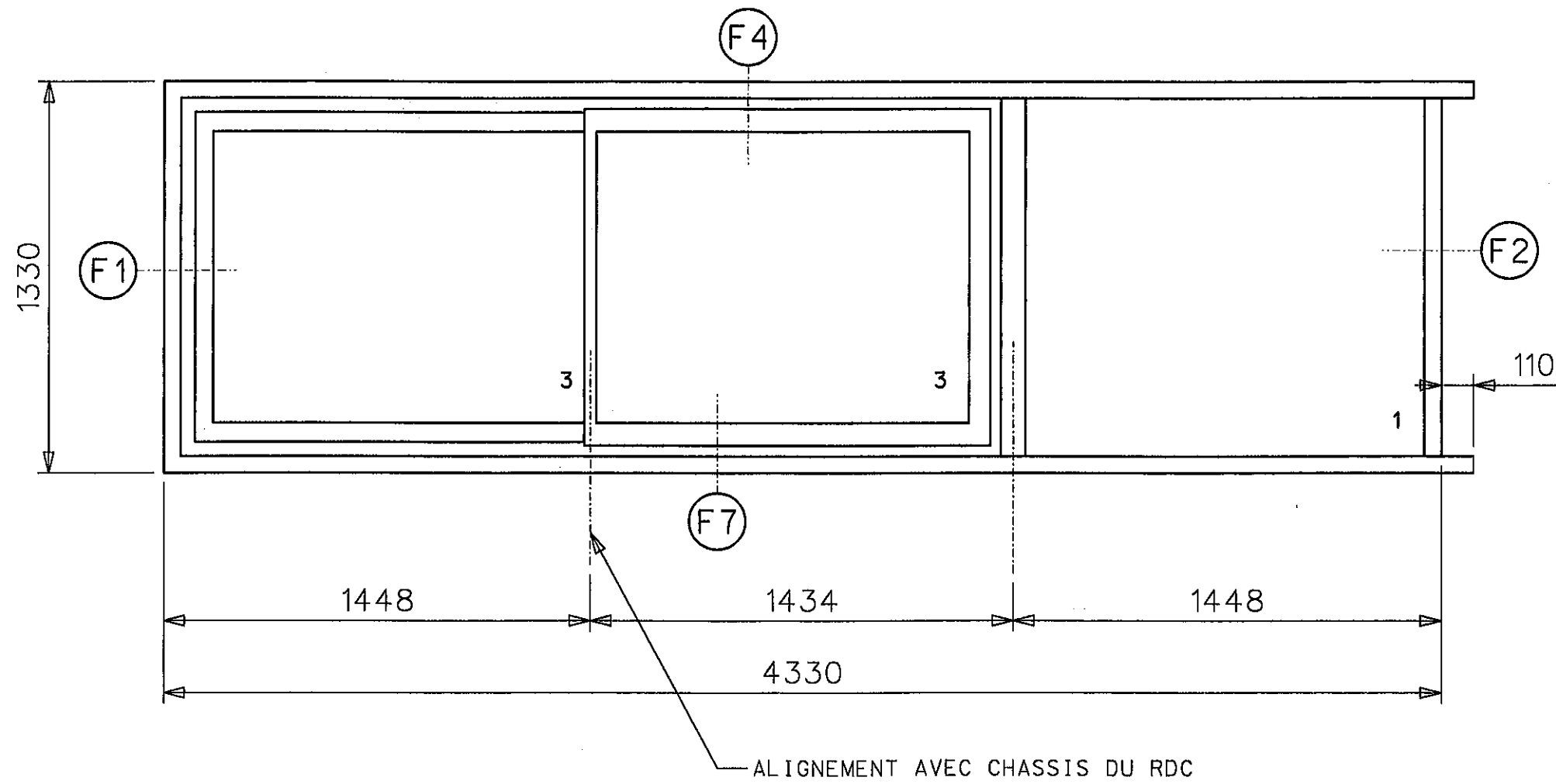
REP 5.03c QTE= 1



Echelle : 1:20

COTES BETON= 4450x2420

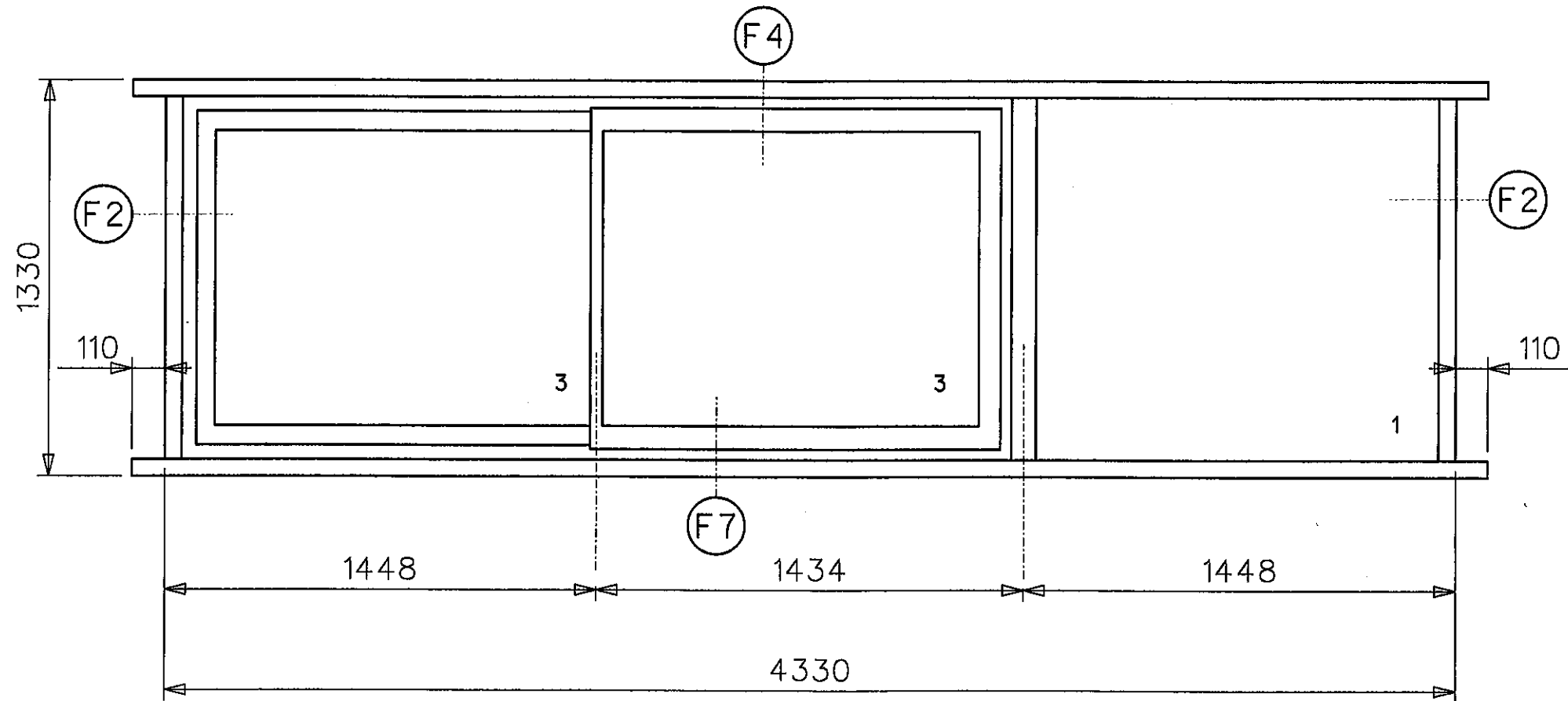
REP 5.06a QTE= 1



Echelle : 1:20

COTES BETON= 4350x1350

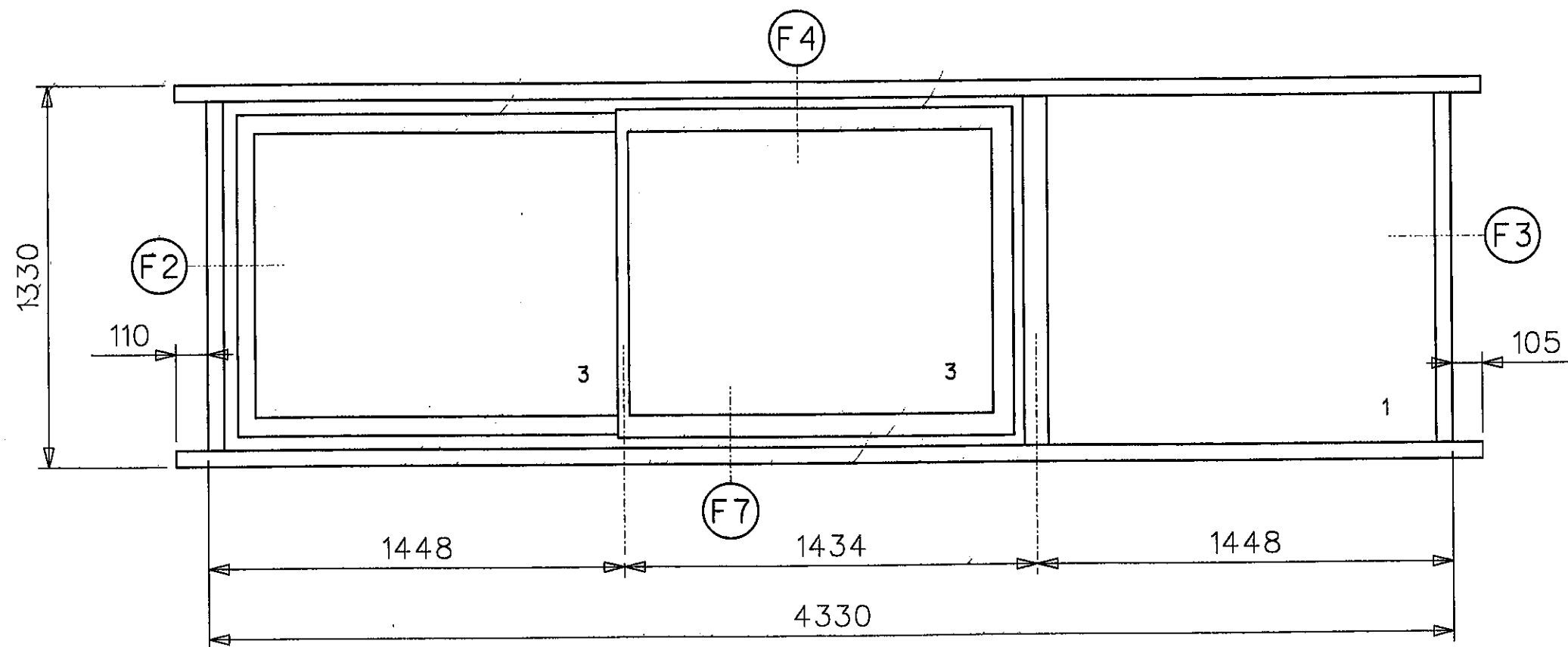
REP 5.06b QTE= 1



Echelle : 1:20

COTES BETON= 4350x1350

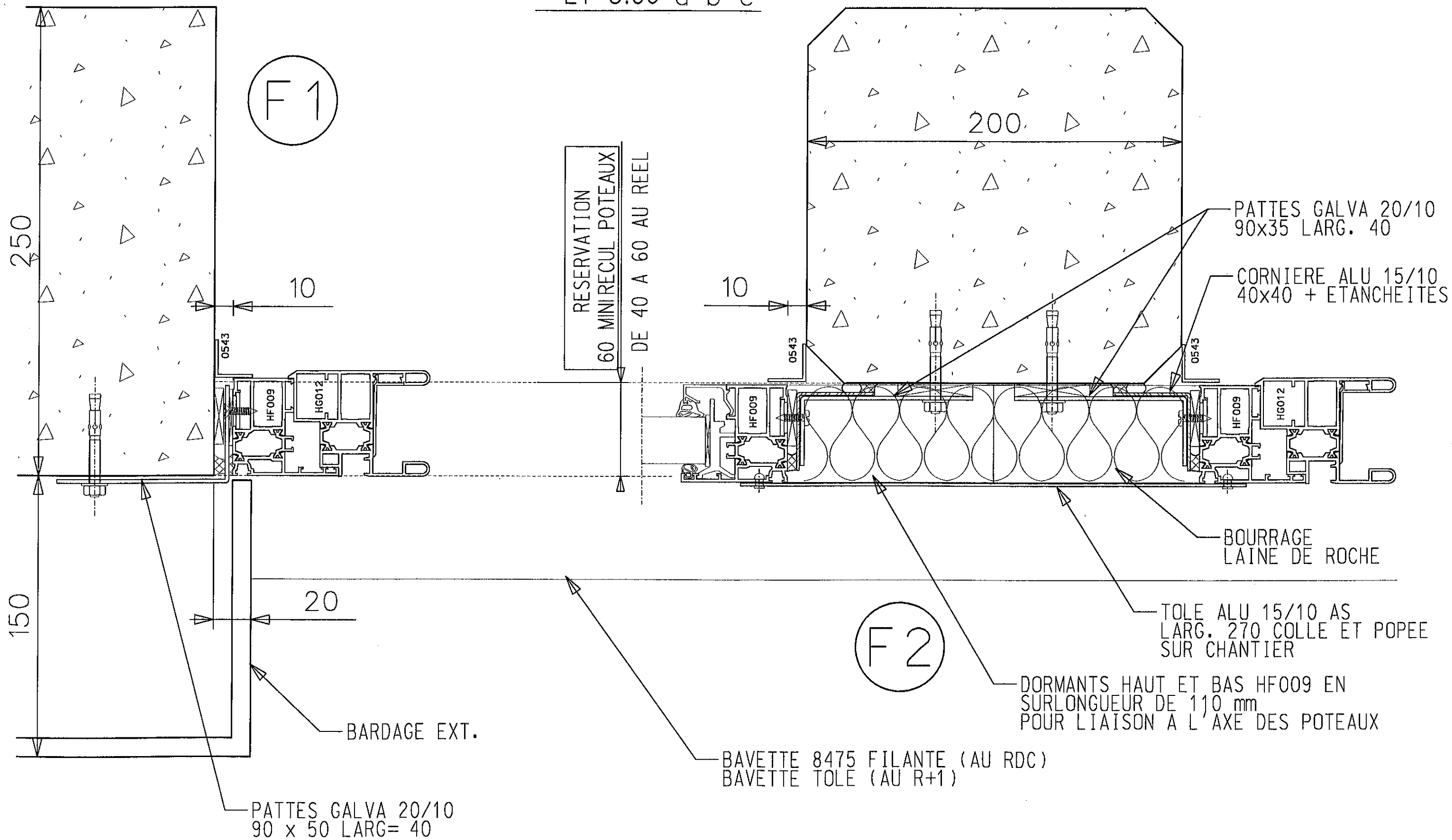
REP 5.06o QTE= 1



Echelle : 1:20

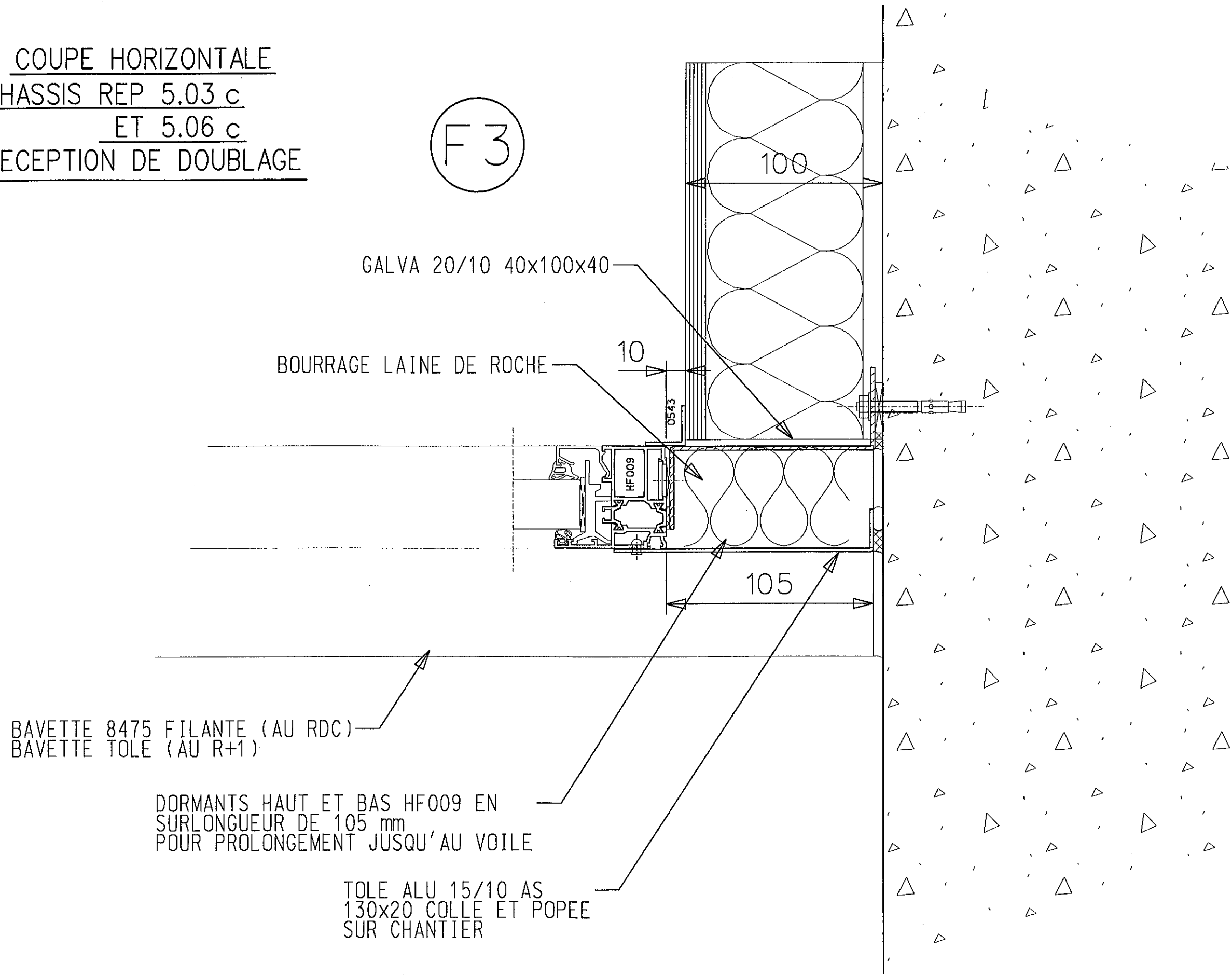
COTES BETON= 4450x1350

COUPES HORIZONTALES
CHASSIS REP 5.03 a-b-c
ET 5.06 a-b-c



COUPE HORIZONTALE
CHASSIS REP 5.03 c
ET 5.06 c
RECEPTION DE DOUBLAGE

F3



GALVA 20/10 40x100x40

BOURRAGE LAINE DE ROCHE

10

100

0543

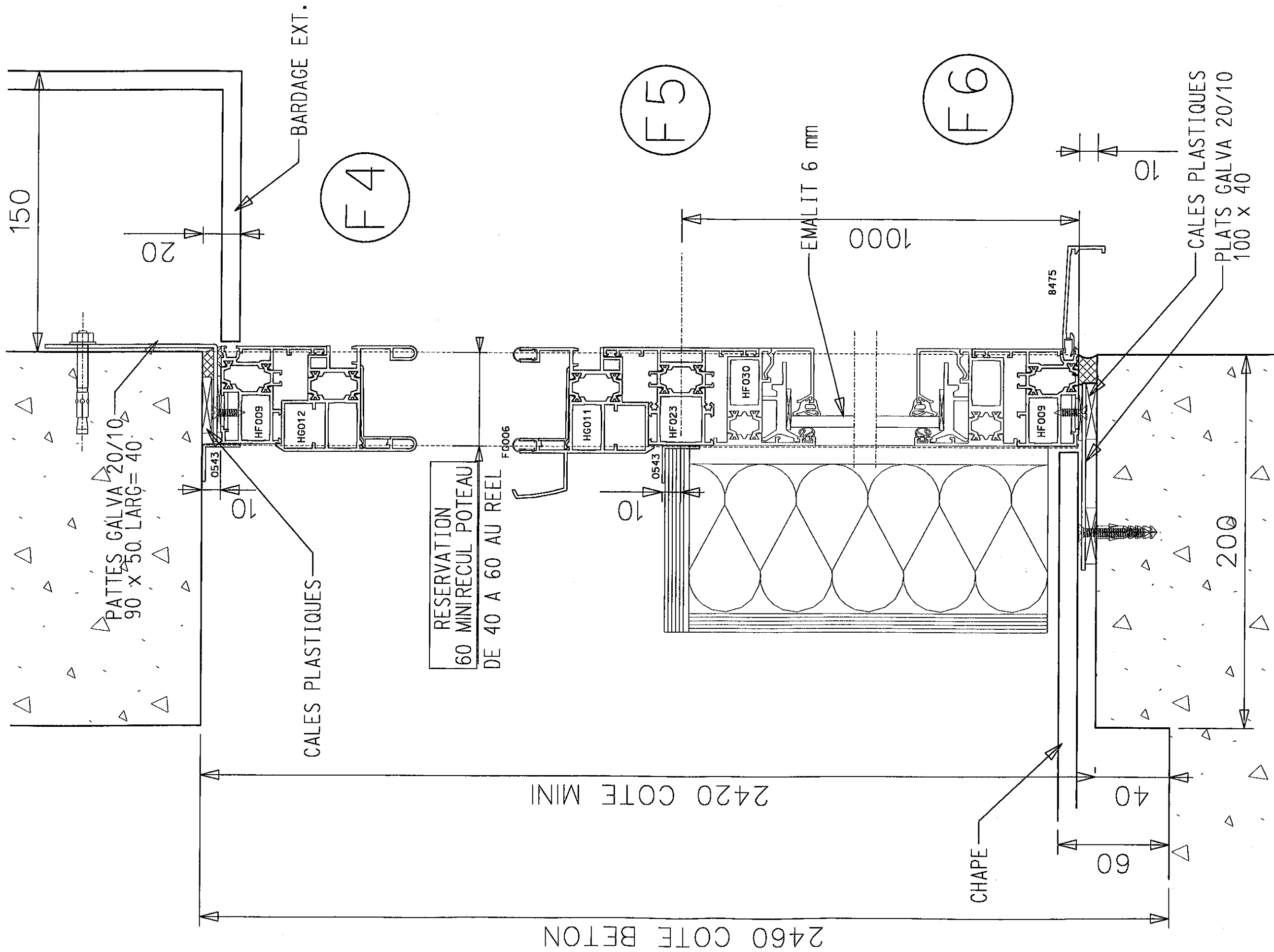
HF009

105

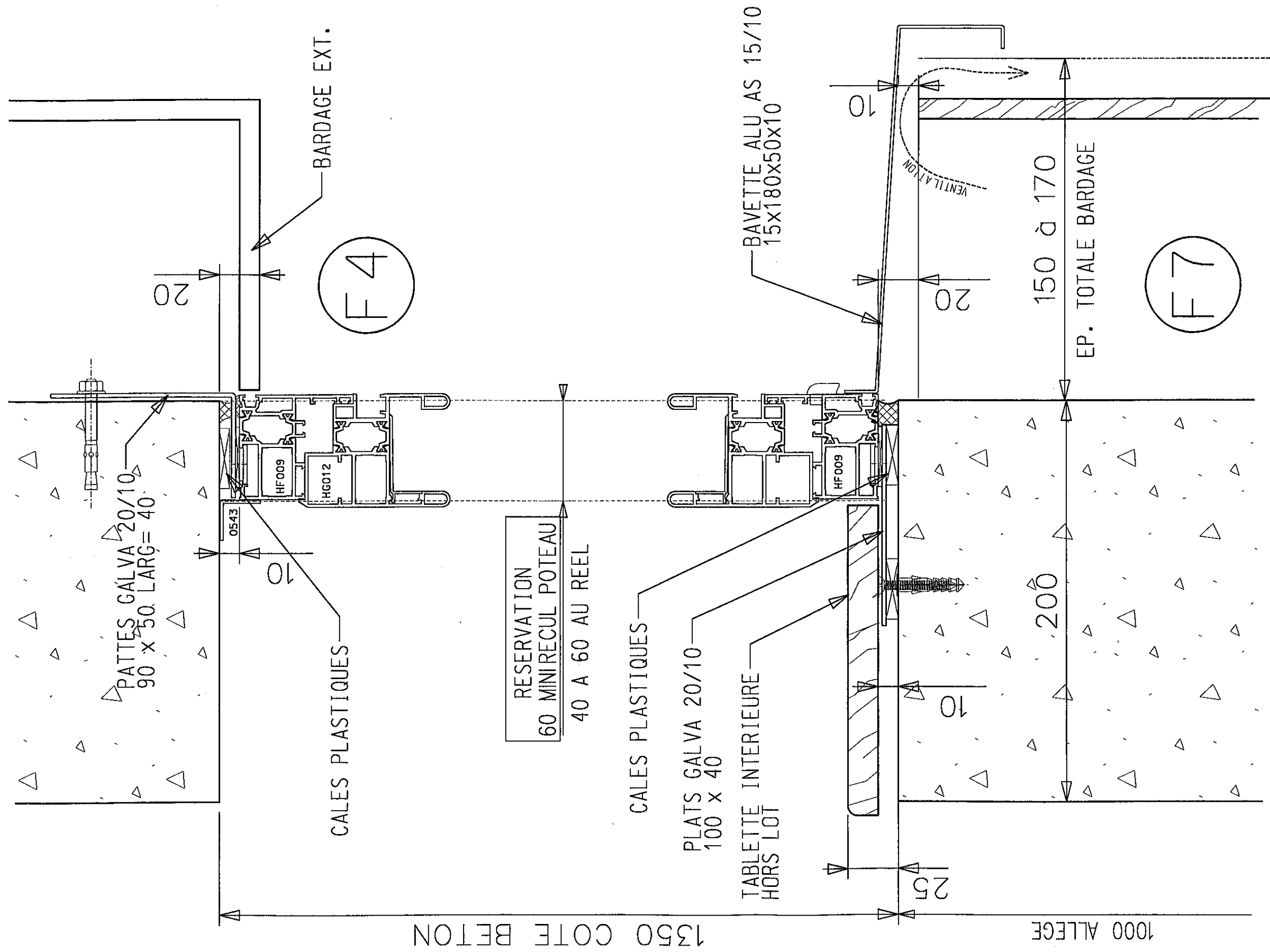
BAVETTE 8475 FILANTE (AU RDC)
 BAVETTE TOLE (AU R+1)

DORMANTS HAUT ET BAS HF009 EN
 SURLONGUEUR DE 105 mm
 POUR PROLONGEMENT JUSQU'AU VOILE

TOLE ALU 15/10 AS
 130x20 COLLE ET POPEE
 SUR CHANTIER

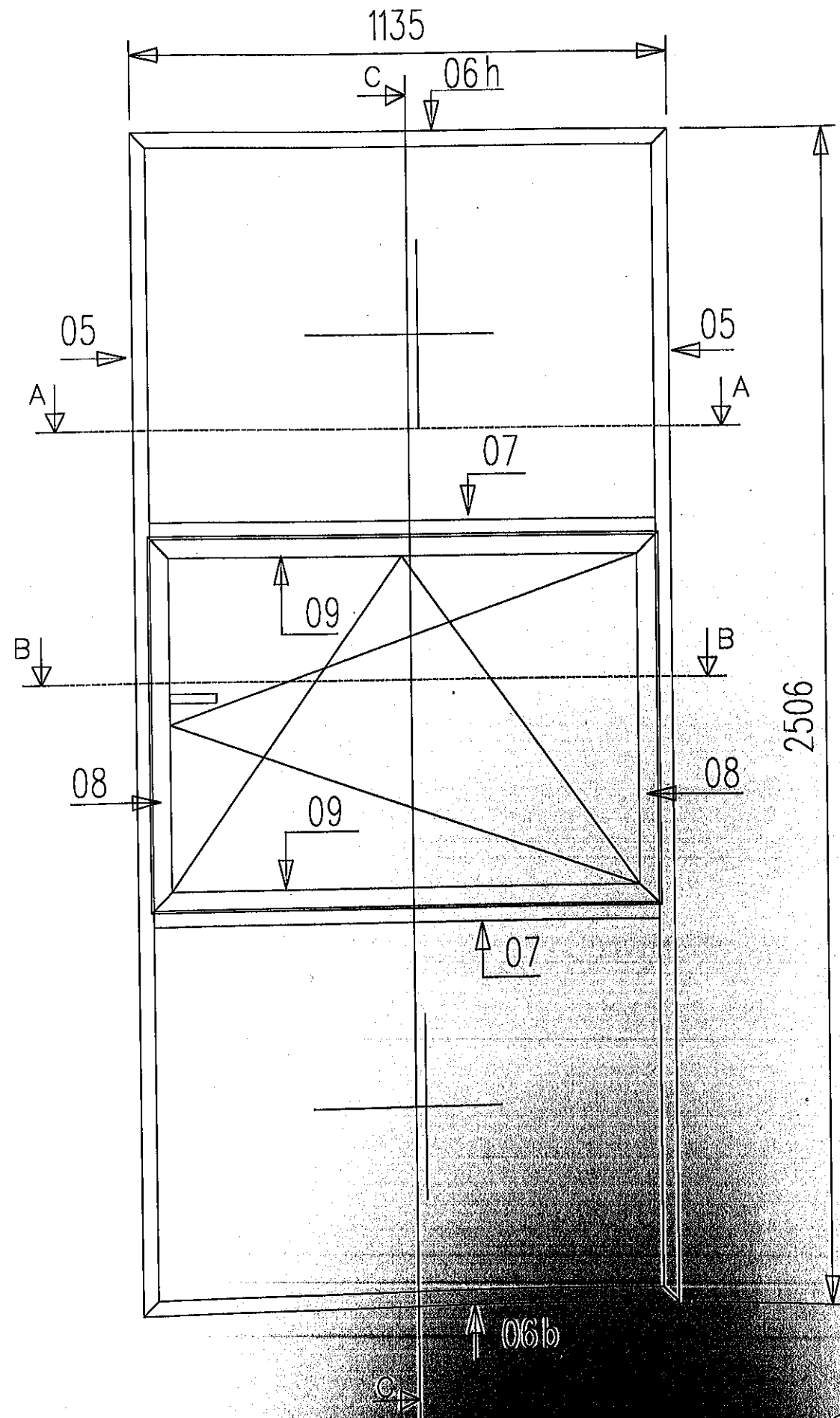


COUPE VERTICALE
 CHASSIS REP 5.03 a-b-c

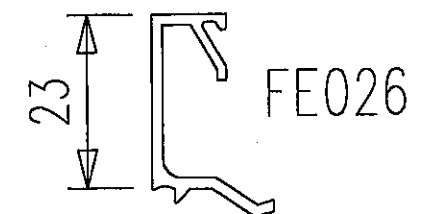
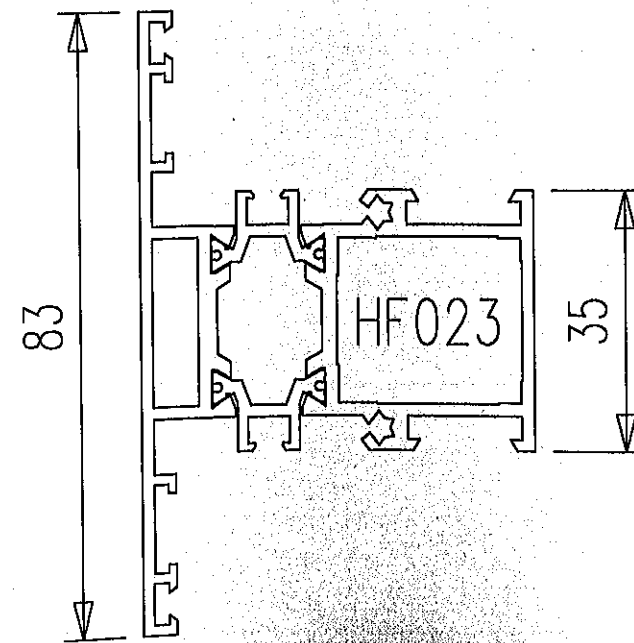
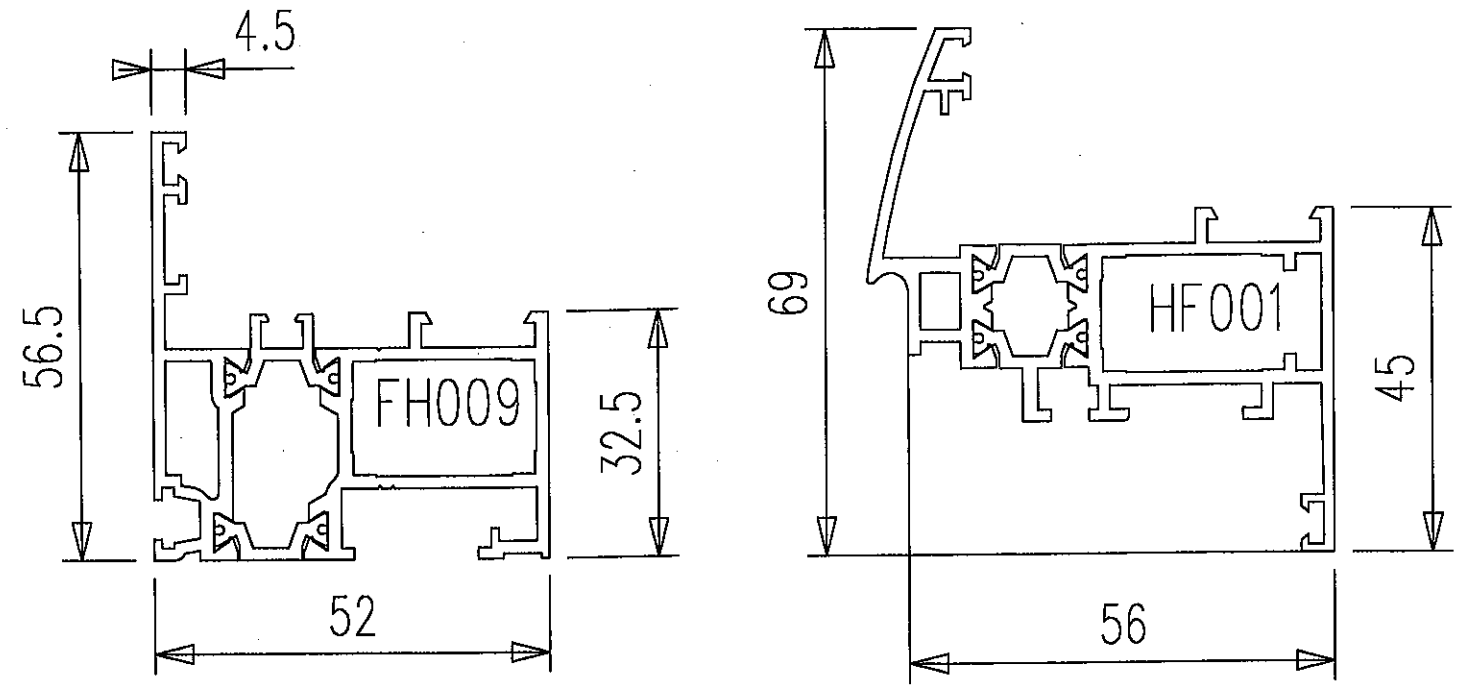


COUPE VERTICALE
CHASSIS REP 5.06 a-b-c

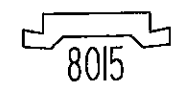
REPÈRE 5 08



PROFILES

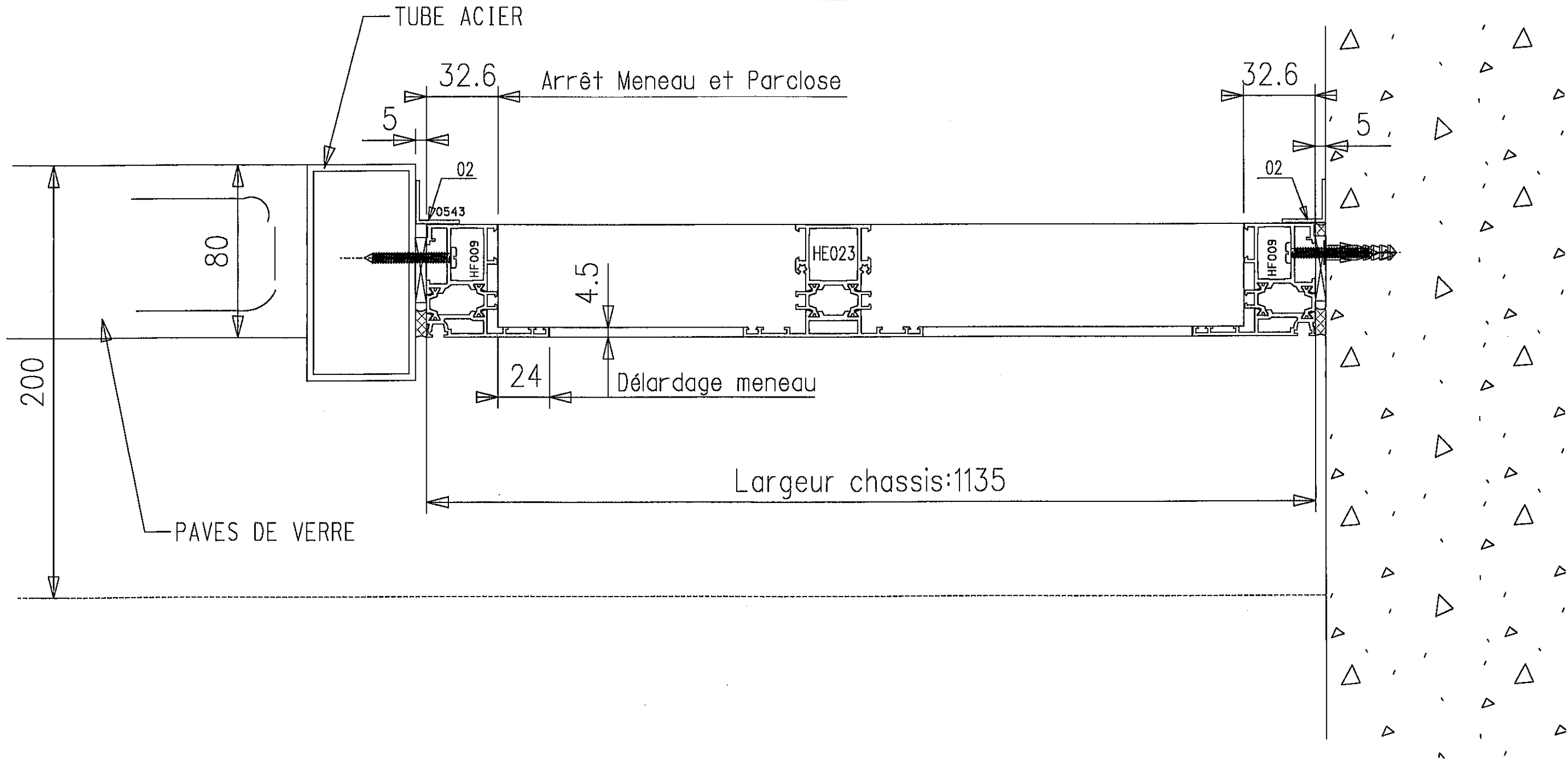


Profilé tige de crémonne



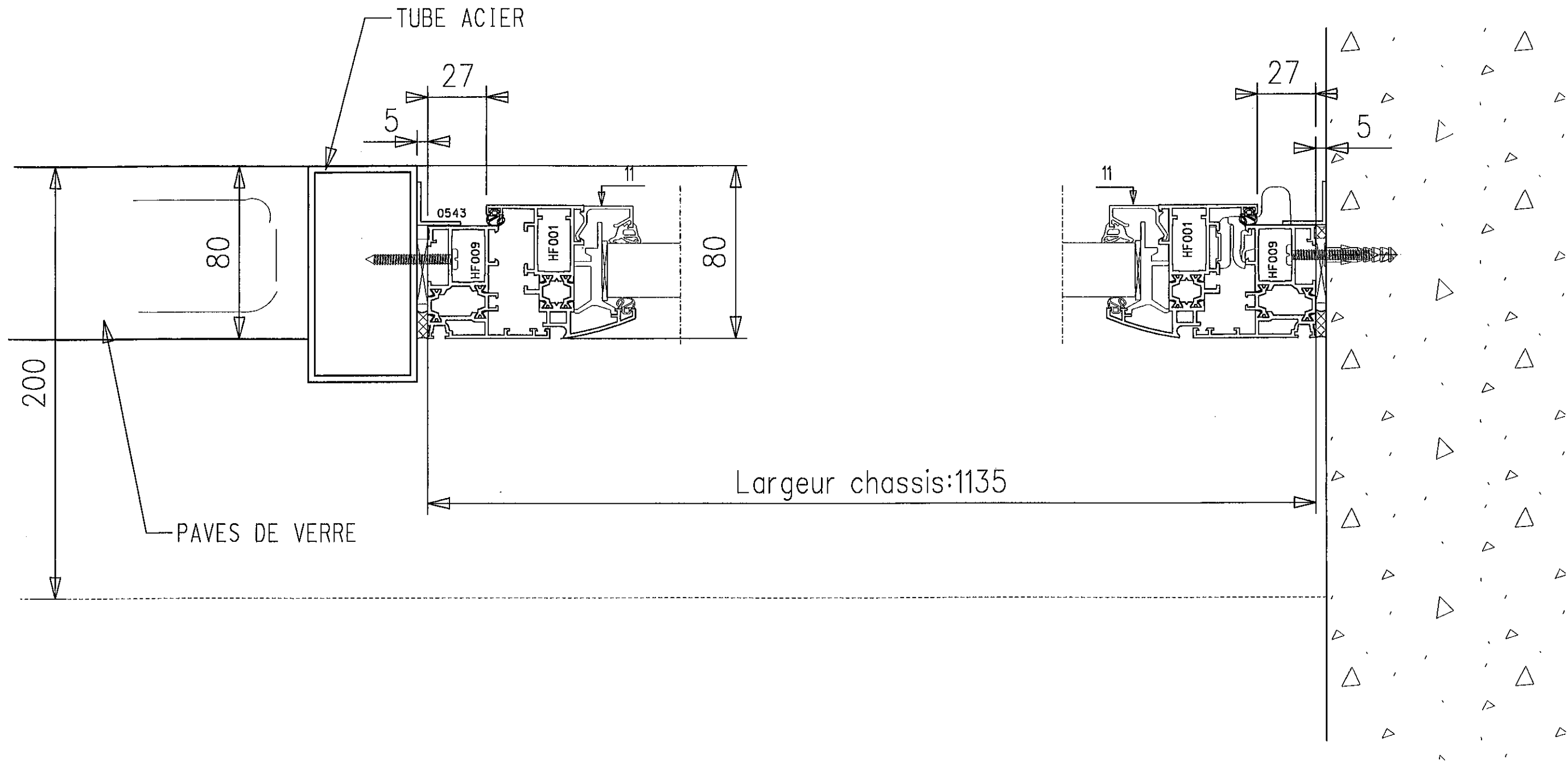
Rep : 5.08

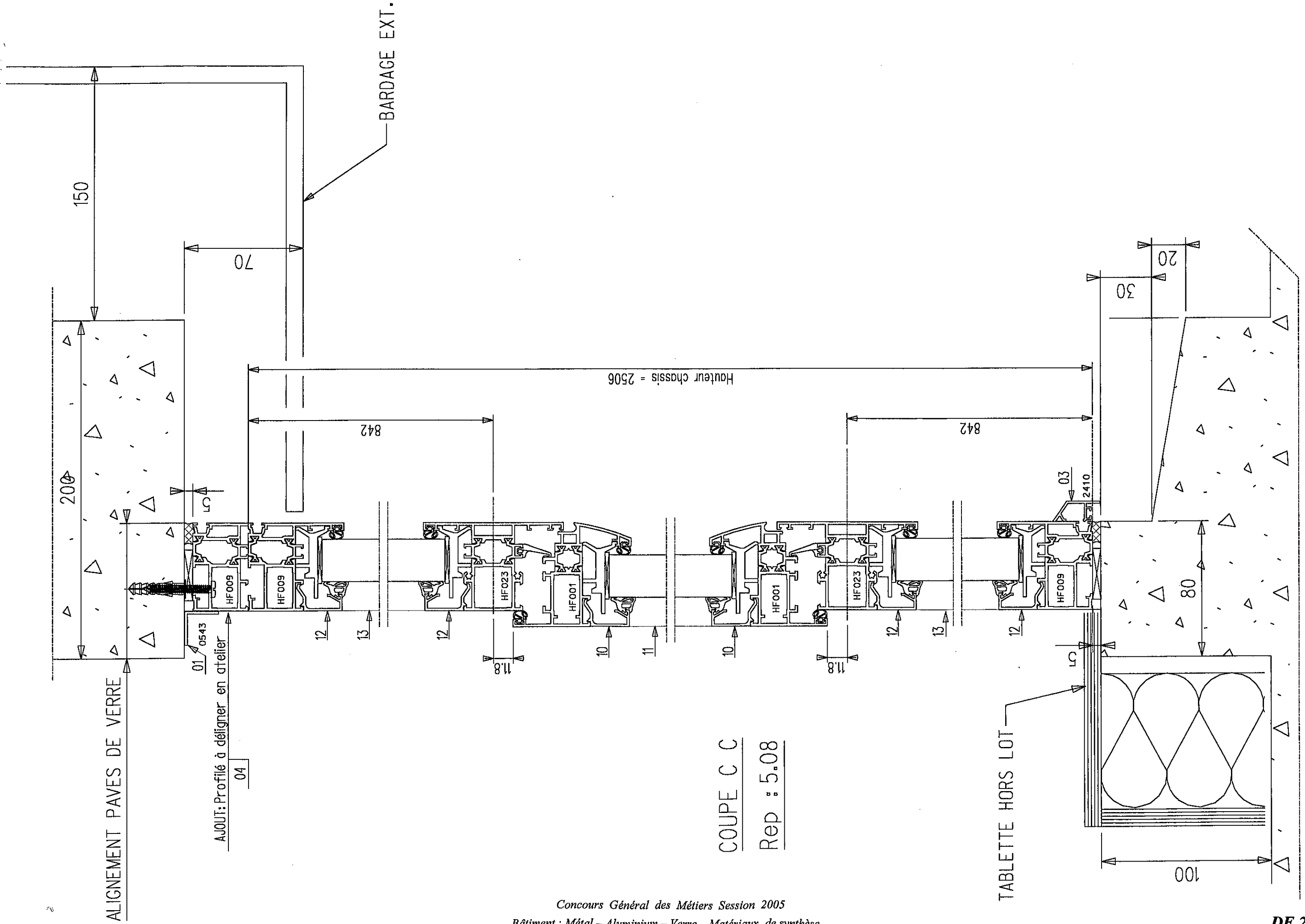
COUPE A A



Rep : 5.08

COUPE B B





ALIGNEMENT PAVES DE VERRE

AJOUT: Profilé à déigner en atelier
04

Hauteur chassis = 2506

COUPE C C
Rep : 5.08

TABLETTE HORS LOT